



FCA1209-Z1

Cerberus™ FIT

Output module (230V)

For use in monitored output lines



- **Output module FCA1209**
 - 1 output with potential-free relay contacts for the control of fire ventilation, air conditioning, elevators, doors, control installations
- **Direct connection into the monitored output line**
- **Indication of the output status**
- **Two-wire installation for all types of cable**
- **No external Power supply**
- **Applicable in dry, dusty and humid areas**
- **Different mounting possibilities**

Characteristics

- **Environmental**

- ecologically processing
- recyclable materials
- electronic und synthetic material simple separable

- **Characteristics**

- transparent housing for good visibility of the indicators
- protected electronics
- indication of the activation status
- applicable in dry areas, use auxiliary housing for application in dust and humid/wet areas

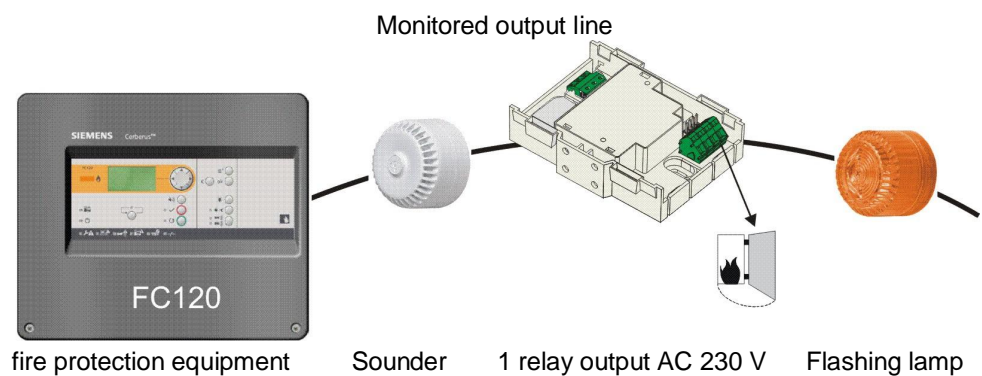
Output module FCA1209

- **Function**

- 1 output potential-free contact (AC 230 V)
- status indication by LED

- **Application**

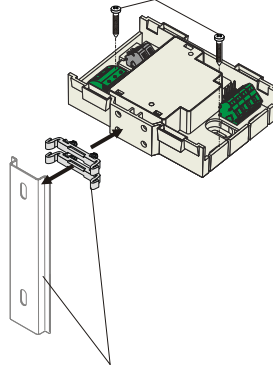
- For the activation / deactivation of 230 V decentralized fire protection equipment
- Monitored line up to the FCA1209
- Direct connection to the monitored output line form the Fire control panel



Installation

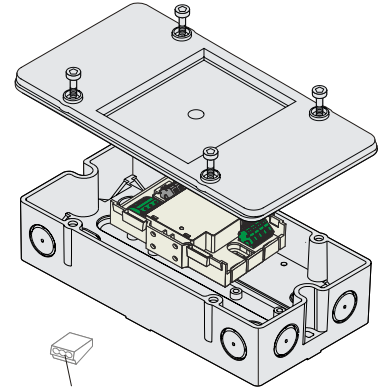
- In housings with a mass > 4.75 kg, mounting on (series mounting) top hat rail TS35
- in housing FDCH221 with cover, seal and screws for wet applications

Installation directly in switching cabinet / control panel (> 4.75 kg)



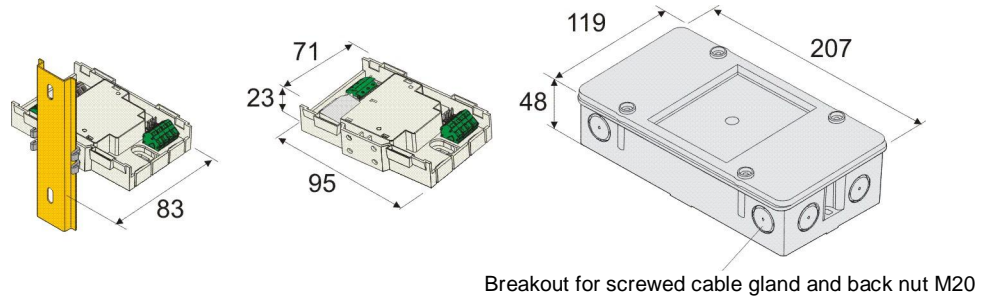
Installation in range with enclosed mounting feet at top U rail TS35

Installation in separately housing FDCH221



For shielding cables use connection terminals DBZ1190-AB


Dimensions



Breakout for screwed cable gland and back nut M20

Technical data

| | FCA1209 |
|--|---|
| Operating voltage | DC 14.5...30 V |
| Operating current (quiescent) | max. 0.1 mA |
| Relays output (ohm) | AC: 230 V, max. 5 A; DC: 30 V, max. 5 A. |
| Relay coil resistance | 480 Ω ± 10 % |
| Operating current / voltage | 30 V / 25 mA 14,5 V / 25 mA |
| Internal resistance relay output | max. 0.1 Ω |
| Operating temperature | -25...+65 °C |
| Storage temperature | -25...+65 °C |
| Humidity | ≤95 % rel. |
| Communication protocol | Monitored output line |
| Connection terminals | 0.2...2.5 mm ² |
| Color | |
| – Housing | white, ~RAL 9010 |
| – Cover | transparent matt |
| – Aux. housing FDCH221 | white, ~RAL 9010 |
| Protection category EN 60529 / IEC 60529 | IP30 |
| – with aux. housing FDCH221 | IP65 |
| Standards | EN 54-18 |
| Approvals | |
| – LPCB | 531r/01 |
| System compatibility | |
| – Monitor Output Line | FC120 |

| | | |
|---|-------------------|--|
| 14  0832 | FCA1209-Z1 | Siemens Switzerland Ltd; Gubelstrasse 22 CH-6301 Zug Technical data: see doc. A6V10425246 |
| FCA1209-Z1 Input/output device for use in fire detection and fire alarm systems installed in buildings. | | |
| 305/2011/EU (CPR): EN 54-18; 2014/30/EU (EMC): EN 50130-4 / EN 61000-6-3 ; 2014/35/EU (LVD): EN 60950-1; 2011/65/EU (RoHS): EN 50581 | | |
| The declared performance and conformity can be seen in the Declaration of Performance (DoP) and the EU Declaration of Conformity (DoC), which is obtainable via the Customer Support Center: Tel. +49 89 9221-8000 or http://siemens.com/bt/download | | |
| DoP No.: 0832-CPR-F0264; DoC: No.: CED-FCA1209-Z1 | | |

Details for ordering

| | Type | Part no | Designation | Weight |
|-------------|------------|----------------|--|----------|
| | FCA1209-Z1 | S54400-B124-A1 | Output module (230 V) | 0.056 kg |
| | FDCH221 | S54312-F3-A1 | Housing with cover, seal and screws | 0.280 kg |
| | – | A5Q00004478 | Metal screwed cable gland M20 x 1.5 | 0.039 kg |
| | – | A5Q00004479 | Back nut M20 | 0.006 kg |
| | DBZ1190-AB | BPZ:4942340001 | Connection terminal 1.0...2.5 mm ² (3-pole) | 0.002 kg |
| Spare parts | FDCM291 | A5Q00003855 | Mounting feets (25 pcs.) | 0.060 kg |

Issued by
Siemens Switzerland Ltd
Building Technologies Division
International Headquarters
Gubelstrasse 22
CH-6301 Zug
Tel. +41 41 724 24 24
www.siemens.com/buildingtechnologies

© Siemens Switzerland Ltd, 2015
Technical specifications and availability subject to change without notice.