



CVVC1317-LP, CVVS1317-LP

Vandal-resistant domes with varifocal lens

-
- Discreet and compact design
 - Super high resolution 540 TVL
 - High-performance aspherical lens F1.4
 - Impact resistant 1000kg
 - Switchable BLC (6 predefined fields with remote software)
 - Dual voltage 12 V DC/24 V AC (line-lock phase adjustment)
 - Full X, Y and Z axis adjustment for wall and ceiling mount
 - Smoked protective lower bubble
 - Easy setup with local connection port

Attractive high resolution dome cameras for either ceiling or wall mount, complete with smoked protective bubble. Includes service monitor connection and cable for easy local setup. Designed for indoor or outdoor (IP66 rating) applications where discreet, unobtrusive surveillance is demanded.

Application

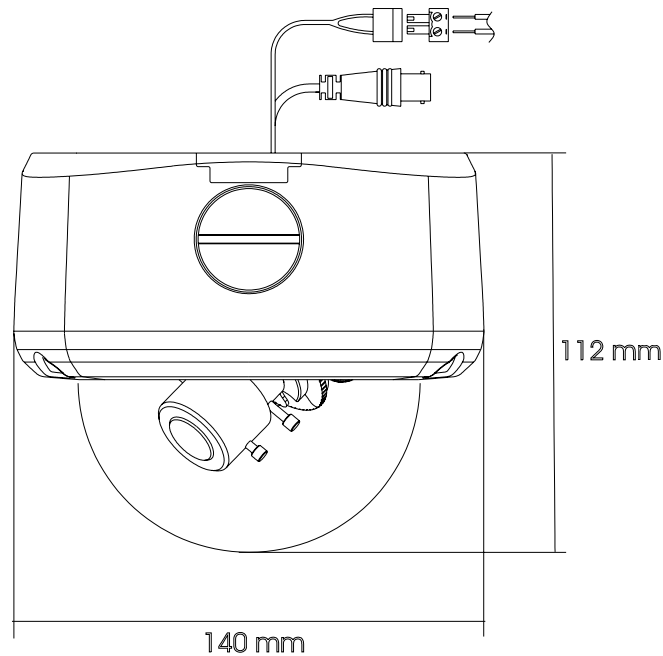
- **Versatile – ease of use**

The CVV series of varifocal vandal-resistant dome cameras features a 1/3"-inch Super HAD (1/3" EXVIEW HAD on the Day/Night model) CCD coupled with a high-performance varifocal aspherical auto-iris lens allowing the camera to be used in a wide range of indoor and outdoor applications including retail, commercial buildings, museums, banks or hotels. Easy-to-access DIP switches for white balance, backlight compensation, line-lock phase adjustment, AGC and auto-iris lens adjustment ensure complete flexibility. Coupled with the PC remote setup software it provides the added benefit to customise the cameras usability further with the colour and Day/Night models.

- **24 hour surveillance**

With a mechanical IR cut filter, the Day/Night model ensures crisp, sharp images both by day in colour and when used with an infrared illuminator, in monochrome at night.

Dimensions



Technical data

	CVVC1317-LP	CVVS1317-LP
General		
Fixed Dome	High Resolution Colour	High Resolution Day/Night
Image sensor	Super HAD 1/3-inch CCD 752 (H) x 582 (V)	Exview 1/3-inch CCD 752 (H) x 582 (V)
Horizontal resolution	540 TV lines	540 TV lines
Minimum illumination (at 50 IRE)		
Clear bubble	0.24 Lux	0.29 Lux (colour) / 0.21 Lux (mono)
Smoked bubble	0.46 Lux	0.53 Lux (colour) / 0.43 Lux (mono)
S/N ratio	> 50 dB	> 50 dB
Electronic shutter (AES)	1/50 to 1/100000 s	1/50 to 1/100000 s
Backlight compensation	ON or OFF (software allows 6 zones)	ON or OFF (software allows 6 zones)
Gain control	AGC ON or OFF (software allows 18 - 30 dB)	AGC ON or OFF (software allows 18 - 30 dB)
Sync system	Internal / line lock (AC only)	Internal / line lock (AC only)
White balance	Automatic	Automatic
Bubble type	Smoked	Smoked
Video output		
TV system	PAL, 2:1 interlace, 50 Hz vertically, 15,625 Hz horizontally	PAL, 2:1 interlace, 50 Hz vertically, 15,625 Hz horizontally
Signal (composite)	1 Vpp, 75 Ohm, BNC	1 Vpp, 75 Ohm, BNC
Local service monitor output	Yes (cable included)	Yes (cable included)
Lens details		
Focal length	3.7 - 12 mm	3.7 - 12 mm
Focus type	Adjustable	Adjustable
Maximum relative aperture	F1.4 – 2.8	F1.4 – 2.8
Iris	Direct drive auto-iris	Direct drive auto-iris
Horizontal angle of view	22.7 – 76.9°	22.7 – 76.9°
Minimum object distance	0.5 m	0.5 m
Electrical		
Supply voltage	12 V DC / 24 V AC, 3.5 W	12 V DC / 24 V AC, 3.5 W
RS232 remote setup (optional)	Yes	Yes
Mechanical		
Dimensions (Ø x H)	140 x 112 mm	140 x 112 mm

Details for ordering

Type	Part no	Designation	Weight
CVVC1317-LP	S54561-C63-A1	1/3" CCD Vandal Resistant Dome, High Resolution Colour 12 V DC/24 V AC, 3.5 W	1.7 kg
CVVS1317-LP	S54561-C64-A1	1/3" CCD Vandal Resistant Dome, High Resolution Day/Night 12 V DC/24 V AC, 3.5 W	1.7 kg

Accessories (not included in delivery)

Type	Part no.	Designation	Weight
CVV-FMK	2GF1086-8AC	Flush mount kit for vandal-resistant dome series	1.5 kg
CVVA-WB	2GF1086-8AD	Wall Bracket for vandal-resistant dome series	1.6 kg
CVVA-CD	2GF1086-8AH	Clear lower bubble for vandal-resistant dome series	0.3 kg

