



## CFVC1317-LP, CFVS1317-LP

### Fixed domes with varifocal lens

- 
- Discreet and compact design
  - Super high resolution 540 TVL
  - Varifocal auto-iris lens
  - Mechanical IR cut filter (Day/Night model)
  - Switchable BLC (6 predefined fields with remote software)
  - Dual voltage 12 V DC/24 V AC (line-lock phase adjustment)
  - Full X, Y and Z axis adjustment for wall and ceiling mount
  - Smoked protective lower bubble
  - Easy setup with local connection port

Attractive high resolution dome cameras for either ceiling or wall mounting, complete with smoked protective bubble. Includes service monitor connection and cable for easy local setup. Designed for indoor applications where discreet, unobtrusive surveillance is demanded.

## Application

---

- **Versatile – ease of use**

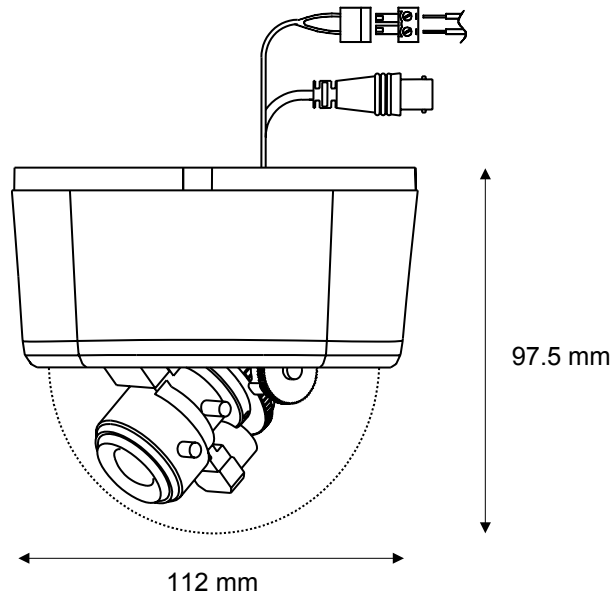
The CFV series of varifocal dome cameras features a 1/3-inch Super HAD (EXVIEW HAD on the Day/Night model) CCD coupled with a versatile varifocal auto-iris lens allowing the camera to be used in a wide range of indoor applications including retail, commercial buildings, museums, banks or hotels. Easy-to-access DIP switches for white balance, backlight compensation, line-lock phase adjustment, AGC and auto-iris lens adjustment ensure complete flexibility. An accessory for PC remote setup is available on colour and Day/Night models.

- **24 hour surveillance**

With a mechanical IR cut filter, the Day/Night model ensures crisp, sharp images both by day in colour and when used with an infrared illuminator, in monochrome at night.

## Dimensions

---



## Technical data

	CFVC1317-LP	CFVS1317-LP
<b>General</b>		
Fixed Dome	High Resolution Colour	High Resolution Day/Night
Image sensor	Super HAD 1/3-inch CCD 752 (H) x 582 (V)	Exview 1/3-inch CCD 752 (H) x 582 (V)
Horizontal resolution	540 TV lines	540 TV lines
Minimum illumination (at 50 IRE)		
Clear bubble	0.24 Lux	0.29 Lux (colour) / 0.21 Lux (mono)
Smoked bubble	0.46 Lux	0.53 Lux (colour) / 0.43 Lux (mono)
S/N ratio	> 50 dB	> 50 dB
Electronic shutter (AES)	1/50 to 1/100000 s	1/50 to 1/100000 s
Backlight compensation	ON or OFF (software allows 6 zones)	ON or OFF (software allows 6 zones)
Gain control	AGC ON or OFF (software allows 18 - 30 dB)	AGC ON or OFF (software allows 18 - 30 dB)
Sync system	Internal / line lock (AC only)	Internal / line lock (AC only)
White balance	Automatic	Automatic
Bubble type	Smoked	Smoked
<b>Video output</b>		
TV system	PAL, 2:1 interlace 50 Hz vertically, 15,625 Hz horizontally	PAL, 2:1 interlace 50 Hz vertically, 15,625 Hz horizontally
Signal (composite)	1 Vpp, 75 Ohm, BNC	1 Vpp, 75 Ohm, BNC
Local service monitor output	Yes (cable included)	Yes (cable included)
<b>Lens details</b>		
Focal length	3.7 - 12 mm	3.7 - 12 mm
Focus type	Adjustable	Adjustable
Maximum relative aperture	F1.4 – 2.8	F1.4 – 2.8
Iris	Direct drive auto-iris	Direct drive auto-iris
Horizontal angle of view	22.7 – 76.9°	22.7 – 76.9°
Minimum object distance	0.5 m	0.5 m
<b>Electrical</b>		
Supply voltage	12 V DC / 24 V AC, 3.5 W	12 V DC / 24 V AC, 3.5 W
RS232 remote setup (optional)	Yes	Yes
<b>Mechanical</b>		
Dimensions (Ø x H)	112 x 97.5 mm	112 x 97.5 mm

### Details for ordering

Type	Part no	Designation	Weight
CFVC1317-LP	S54561-C61-A1	1/3-inch CCD Varifocal Dome, High Res Colour 12 V DC/24 V AC, 3.5 W	0.29 kg
CFVS1317-LP	S54561-C62-A1	1/3-inch CCD Varifocal Dome, High Res Day/Night 12 V DC/24 V AC, 3.5 W	0.29 kg

### Accessories (not included in delivery)

Type	Part no	Designation	Weight
CFFA-TD	2GF1086-8AA	Smoked replacement bubble for indoor fixed dome series	0.02 kg
CFFA-CD	2GF1086-8AG	Clear bubble for indoor fixed dome series	0.02 kg
CFFA-RS	2GF1086-8AJ	Remote set-up software including 0.5 m cable	0.02 kg

